

Burns and Ferrall Locations

AUCKLAND
12 Reg Savory Place
East Tamaki, Auckland

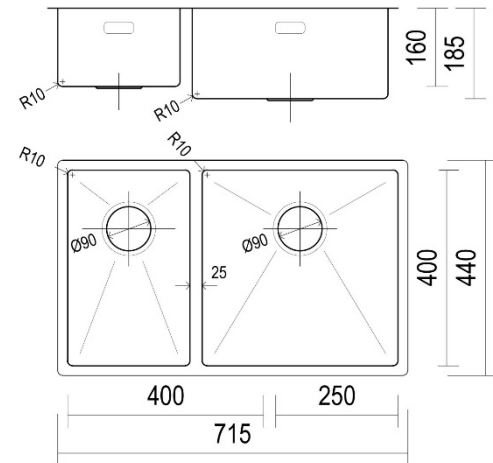
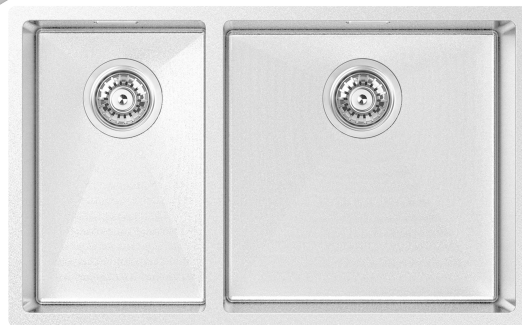
0800 697 465

WELLINGTON
122-124 Tory Street
Te Aro

HAMILTON
60 Alexandra Street
Central

CHRISTCHURCH
345 St Asaph Street
Christchurch

Product Specification Sheet
DIM715R10 RH



Designer R10

B&F Designer R10 400/250 Double Bowl

| | |
|---------------------------------------|-----------------------------|
| <u>Models</u> | <u>Corner Radius</u> |
| DIM715R10 RH | 10mm |
| <u>Overall Dimensions W x D</u> | <u>Waste</u> |
| 715 x 440mm | 90mm |
| <u>Bowl Dimensions W x D x H</u> | <u>Installation</u> |
| 400 x 400 x 200mm | Undermount |
| <u>2nd Bowl Dimensions: W x D x H</u> | <u>Minimum Cabinet Size</u> |
| 250 x 400 x 160mm | 795mm |

Material & Finish

1.2mm 304 Stainless Steel,
DIAMOND FINISH

Accessories Available (optional)

- | | | | | | |
|---|---|---|---|--|---|
|  |  |  |  |  |  |
| BFDDT15 DRAINING TRAY 425 X 360mm | BFDRMB ROLLER MAT 480 X 450mm | BFDCO COLANDER 430 X 165mm | BFDCB15 CHOPPING BOARD 430 X 370mm | BFddb DRAINING BASKET 390 X 325mm | BFDCBCO15 BOARD & COLANDER 415 X 415mm |

E&OE – it is recommended all measurements are taken directly from the product. Specification subject to change without notice, always consult the literature supplied with the product. Coloured images are indicative only.